

SVF-3

DC delta fan max. 337m³/h 483x133x20mm



Material

Rack : Metal
Fan : Plastic

Characteristic

Version : DC fan 12V 2A, compact and powerful, noise and efficiency optimized delta fan
Direction of air flow : exhaust over struts
Direction of rotation : counter clock wise, looking towards rotor
Installation : standard server rack
Bearing : ball bearings
Operating mode : Continuous operation (s1)
IP protection class : IP20
Electrical hookup : via single wires AWG22
Electrical protection class : III
Weight : 1.8kg

Approvals

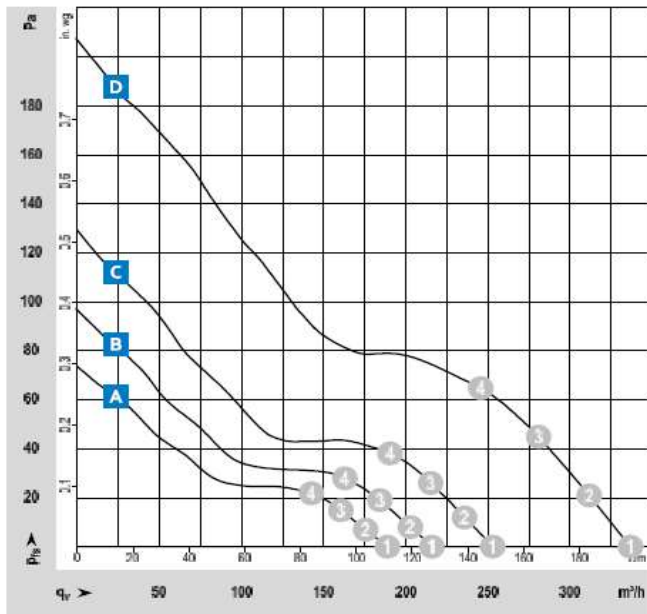
DIN EN62368, UL507, CSA C22, Nr.113, EAC, CE, UKCA, CCC (only necessary >36V)

Controller

Speed : from 0 to 4500rpm
Output voltage : 12v 2A

Options

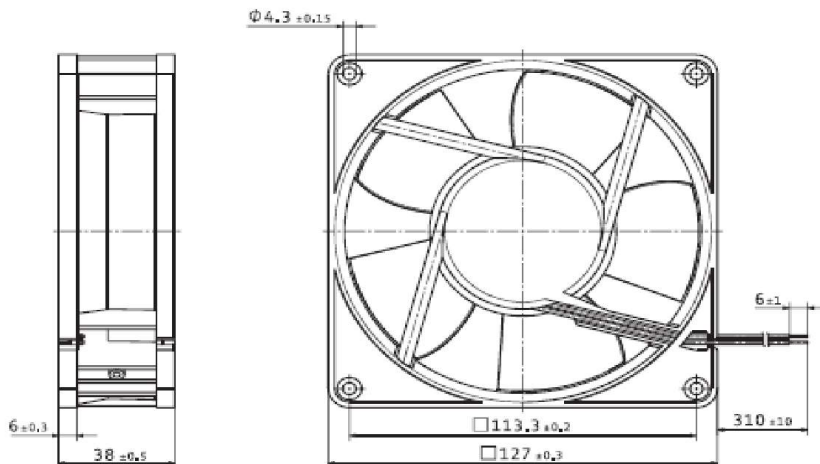
External temperature sensor
PWM control input



Measuring conditions
Air performance measured according to: ISO 9801, Installation category A, without contact protection.
Noise: Total sound power level LWA ISO 10302 measured on a hemisphere with a radius of 2 m, Sound pressure level LpA measured at 1 m distance from fan axis. The values given are applicable only under the specified measuring conditions and may differ depending on the installation conditions. In the event of deviation from the standard configuration, the parameters must be checked after installation!
For detailed information see <http://www.zbmcpep.com/general-conditions>

Technical fan drawing

Dimension in mm



* delta fan types : fan housing with molded-in spacers

