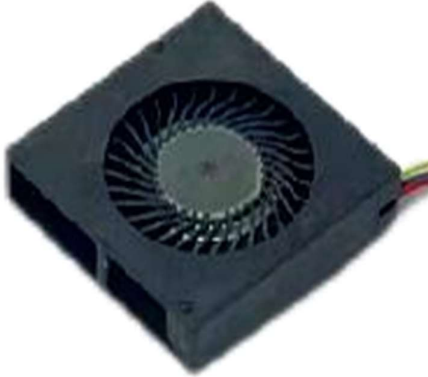


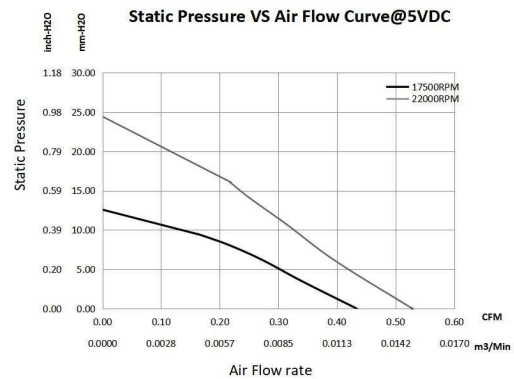
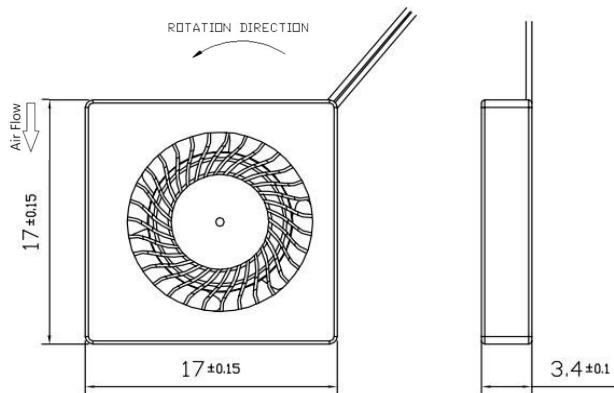
DC Blower 1703



Dimension : 17 x 17 x 3.4mm

Body material : UL-94V-0 Plastic

- Products dimension drawing and Air volume/air pressure characteristic curve



Specification

型号 Model Name	电压 V	轴承 F/B	控制信号 P/F/R/V	转速 RPM	电流 mA	功率 W	风量 CFM	静压 Inch-H ₂ O	噪音 dB-A	重量 g	备注
BT170305101-FPF001	5	FOB	PWM/FG	17500	45	0.23	0.43	0.51	37@0.3M	1.0	√
BT170305101-FPF005	5	FOB	PWM/FG	22000	90	0.45	0.53	0.96	44@0.3M	1.0	√
BS170305101-FPF005	5	FOB	PWM/FG	17500	110	0.55	0.43	0.51	37@0.3M	1.0	
BS170305101-FPF006	5	FOB	PWM/FG	22000	290	1.45	0.53	0.96	44@0.3M	1.0	